



10.4705 LED Trail Blazer III Bicycle Light System (Wail siren)  
10.5705 LED Trail Blazer III Bicycle Light System (Hi-Lo siren)  
**Instructions**



### **Application**

The Trail Blazer III Kit is designed for use on emergency bicycles by authorized operators. Features include headlight, front emergency LED lights, tail light, rear emergency LED lights, and siren.

### **Mounting Instructions**

The Front Trail Blazer is designed to be mounted on the handlebars of most bicycles. The U Bracket is the standard installation bracket. The Front Light can be attached using the provided Mounting Bolt by inverting the U Bracket and inserting the bolt through the single slot side of the bracket and into the center hole of the Aluminum Base Mount. The Bottom Clamps bolt to the two slots on the opposite side of the U Bracket, perpendicular to the handlebars.

If using the optional L Bracket, the Front Light can still be attached using the provided Mounting Bolt and inserting the bolt internally through the slot on the small side of the L Bracket. The Bottom Clamps are to be placed on the internal side of the L Bracket and bolted using the Countersunk Bracket Screw and the Large Nylon Insert Nut.

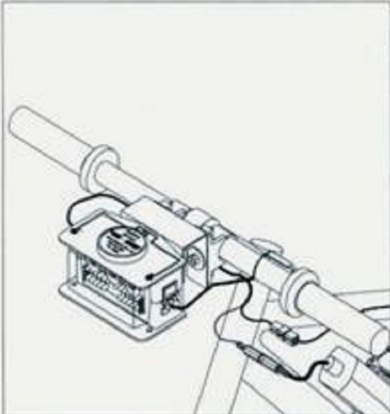
ALERTE SYSTEMS, INC.

Local & International Numbers:  
Phone 417-846-2222 / Fax 417-846-2506

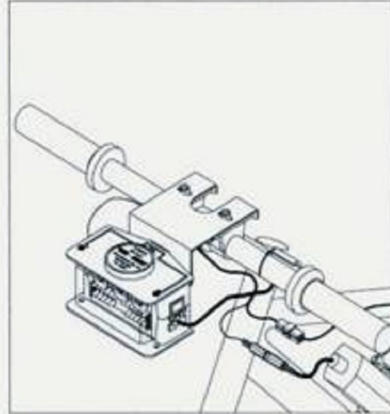
U.S. and Canada Toll-Free Numbers:  
Phone 800-728-1536 / Fax 800-635-1536

06-02-08

**U Bracket Mounting Diagram**



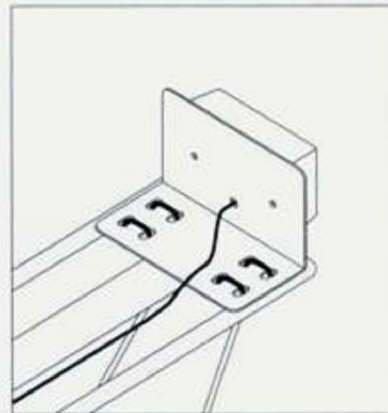
**L Bracket Mounting Diagram**



Mount the Touch Pad Switch directly to the handle bar by strapping it securely with the provided zip ties. Be careful when positioning the Touch Pad Switch. For efficiency, keep it close to reach with a thumb, yet out of the way of operation the brake lever and gear changer.

The Rear Light can be mounted using plastic cable ties and strapping it securely to the bike rack (available at most specialty bike stores). To be seen from behind, the Rear Light must face the rear and not have any obstructions, such as bags, blocking the light.

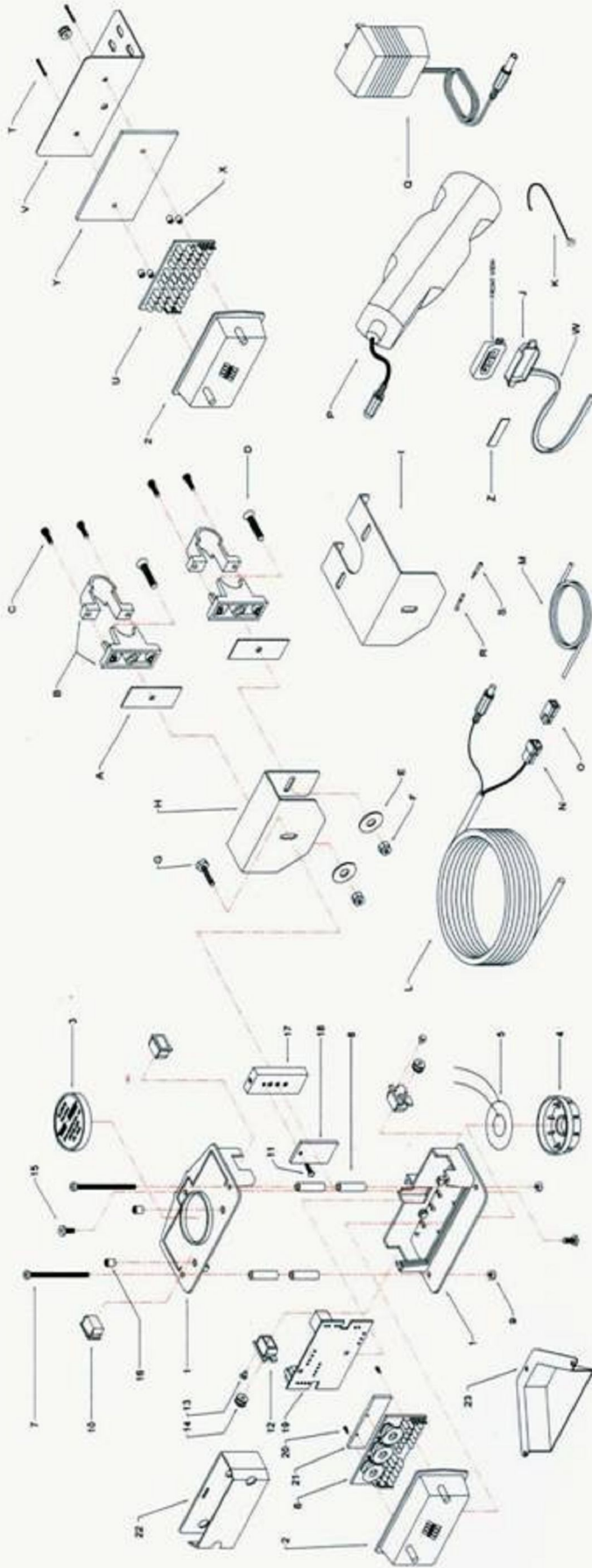
The Battery Pack can be placed in a standard water bottle holder, where it should fit snugly. The Round Power Terminals from the battery and the light connect for power. The Square Connectors control the function of the Rear Light.



### **Operating Instructions**

The Headlight, Rear "Brake" Light, Emergency LED's & Sirens can be turned on and off by the Touch Pad Switch that is located on the bike handle bar.

# PARTS LIST FOR THE 10.4705 TRAIL BLAZER III SYSTEM



## Front Light Assembly

ITEM	MODEL NO.	DESCRIPTION	QTY
1	106.035	Bike Lite Housing	2
2	106.003	Clear Lens	1
3	106.105	Bike Logo Cap	1
4	106.044	Sounder Cap	1
5	102.142	Brass Sounder Disc	1
6	95.5018	Loaded LED Light Board (specify color)	1
7	104.014	Long 3" Black Screw	2
8	106.131	Black Plastic Spacer	4
9	104.038	Small Nylon Insert Nut	2
10	106.198	BLK Hole Plug Blank	2
11	90.4071	6/32 x 1/2 Blk Hex Screw	1
12	102.117	Charge Port Receptacle	2
13	90.4700	Rivet BLK Metal	2
14	106.157	Rubber Grommet	3
15	104.031	Short 1/2" Black Screw	2
16	106.022	Clear Plastic Caps	2
17	90.4213	Brace Bar	1
18	104.280	Brace Bar Heatsink	1
19	95.5019	Stuffed LED Driver Board	1
20	104.010	Lens Screws	2
21	104.285	1/2" Heatsink	1
22	90.4230	U Heatsink	1
23	106.187	Bike Light Scoop	1

## Rear Light Assembly and Mounting Supplies

ITEM	MODEL NO.	DESCRIPTION	QTY
A	106.149	Rubber Spacer	2
B	10.2820	Handle-Bar Clamp	2
C	104.004	Hex Nut	4
D	104.032	Countersunk Bracket Screw	2
E	90.4522 SS	Washer	4
F	90.4150 SS	Large Nylon Insert Nut	2
G	90.4081	Mounting Bolt	1
H	10.2840	U Mounting Bracket	1
I	10.2830	L Mounting Bracket (Optional)	1
J	10.2890	Touch Pad Switch	1
K	61.0629	8" Blk Cable Tie	12
L	10.716	6 Bundle Wire (3 ft)	1
M	10.715	4 Cable Wire (4 ft)	1
N	103.243	Female Square Connector	1
O	103.244	Male Square Connector	1
P	10.2850	Battery Pack	1
Q	10.2810	Batter Charger	1
R	103.245	Female Terminal	4
S	103.246	Male Terminal	4
T	104.019	Long Lens Screw	2
U	102.147	LED Light Board (Red/Amber/Blue)	1
V	90.4241	L Rear Mounting Bracket	1
W	102.088	Blk Phone Wire 26GA/4 Con	15'
X	90.6961	Nylon Spacer	4
Y	106.175	Rubber Spacer	1
Z	107.084	BLK 1" DBL Stick Tape	1